

# BREEZE

---

The new angled air cooler



AIR HEAT EXCHANGER MANUFACTURER

# BREEZE

## The new angled air cooler

BREEZE is the new angled air cooler for commercial refrigeration, in particular for small cold rooms.

### FLUIDS AVAILABLE

- Synthetic refrigerants
- Brine
- CO<sub>2</sub>

# - 10%

## REFRIGERANT CHARGE COMPARED TO MARKET REFERENCE

# 18

models

# 54

versions

# From 0,8 to 10 kW

DT 8K Capacity

# Up to 2 kW/lt

SC2 fin spacing 4,5 mm

# + 8%

increased thickness  
high-efficiency rippled tube

# + 20%

increased thickness  
high-efficiency louvered fins



## Performance



**kW/It and kW/W performance**  
at the top of the market.

## Solidity



**Increased thicknesses in the coil**  
without compromising  
on material quality.



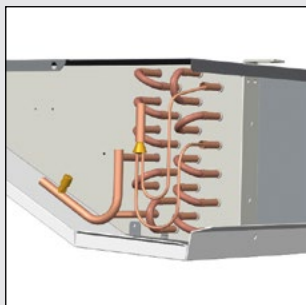
**Metal structure in pre-painted  
plate 15/10**  
for excellent solidity.



**Opening drain tray and inner  
drain tray**  
for great accessibility (315 mm).

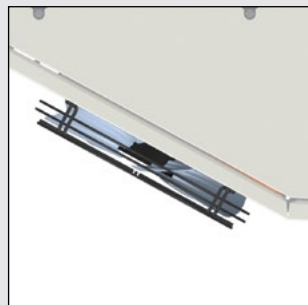
# BREEZE

## The new angled air cooler



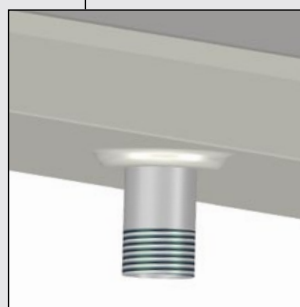
### Wired fan unit

To optimize installation activities.



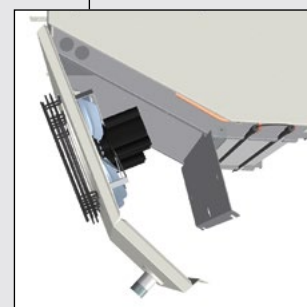
### Reliability

With increased thicknesses and aluminum endplates.



### Aluminum casing and drain connections

For high solidity.



### Machine easy to sanitise

Thanks to hinged casing.

## Accessories

- EC fan motors
- AISI 304 casing
- Cataphoresis coil treatment



## Range

Machine height (slim)	256 mm
3 fin spacing	3 - 4,5 - 7 mm
Fan size	Ø 250 - 315 mm
DT 8K Capacity	0,8 ÷ 10 kW
Number of fans	1 ÷ 3

	Fan size Ø mm	DT 8K Capacity kW	3 fin spacing mm
<b>BREEZE E 25</b>	250	0,8 ÷ 4	3 - 4,5 - 7
<b>BREEZE E 31</b>	315	2,5 ÷ 10	3 - 4,5 - 7

# BREEZE E 25

The new angled air cooler



stefani-online.it

Ø 250 mm  
FAN SIZE

0,8 ÷ 4 kW  
DT 8K CAPACITY

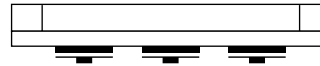
3 - 4,5 - 7 mm  
3 FIN SPACING



BREEZE E 25-1



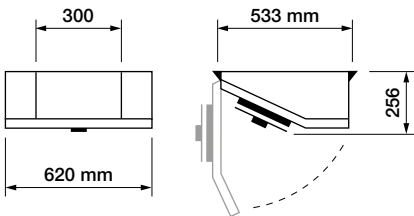
BREEZE E 25-2



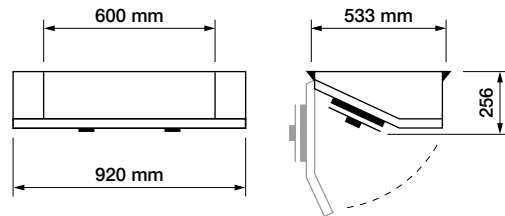
BREEZE E 25-3

## DIMENSIONS

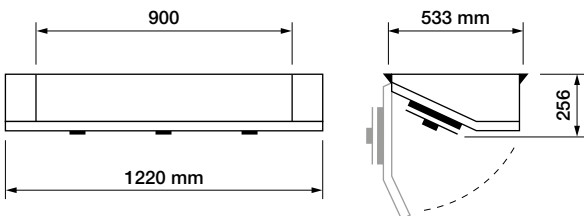
### BREEZE E 25-1



### BREEZE E 25-2



### BREEZE E 25-3



## SELECTION CODE

**BREEZE E 25 1 C 4,5 A 4S**

<b>BREEZE</b>	angled air cooler
<b>E</b>	<b>E</b> = direct expansion   <b>C</b> = CO2 dx   <b>W</b> = brine   <b>P</b> = pumped
<b>25</b>	fan size Ø 250 mm
<b>1</b>	number of fans
<b>C</b>	coil type
<b>4,5</b>	fin spacing mm

<b>A</b>	<b>A</b> = air defrost   <b>E</b> = electric defrost   <b>W</b> = water defrost
<b>4</b>	electric motor poles
<b>S</b>	<b>S</b> = single phase   <b>D</b> = three phase high speed <b>Y</b> = three phase slow speed
<b>EC</b>	electronic motor if present

# BREEZE E 25

The new angled air cooler



stefani-online.it

FIN SPACING 3 mm / 4 poles	CAPACITY		SURFACE m <sup>2</sup>	AIR FLOW m <sup>3</sup> /h	SOUND PRESSURE dB(A) @ 5m	N° FANS x DIAMETER Nr. x Ø mm	FAN SPEED Rpm	POWER W	CURRENT A	AIR THROW m	DEFROSTING POWER kW	VOLUME lt	WEIGHT kg	Ø IN mm	Ø OUT mm
	SC2 - kW	SC3 - kW													
BREEZE E 25-1 C 3 A 4S	1,2	-	5,9	550	38	1x250	1300	95	0,68	7,5	0,35	0,5	27	12	16
BREEZE E 25-2 C 3 A 4S	2,4	-	11,8	1100	41	2x250	1300	190	1,36	8	0,7	1,1	39	12	16
BREEZE E 25-3 C 3 A 4S	3,7	-	17,7	1650	42	3x250	1300	285	2,04	8	1,05	1,6	51	12	16

FIN SPACING 4,5 mm / 4 poles	CAPACITY		SURFACE m <sup>2</sup>	AIR FLOW m <sup>3</sup> /h	SOUND PRESSURE dB(A) @ 5m	N° FANS x DIAMETER Nr. x Ø mm	FAN SPEED Rpm	POWER W	CURRENT A	AIR THROW m	DEFROSTING POWER kW	VOLUME lt	WEIGHT kg	Ø IN mm	Ø OUT mm
	SC2 - kW	SC3 - kW													
BREEZE E 25-1 C 4,5 A 4S	1	0,8	4	600	38	1x250	1300	95	0,68	8,5	0,35	0,5	26	12	16
BREEZE E 25-2 C 4,5 A 4S	2,1	1,6	8	1200	41	2x250	1300	190	1,36	9	0,7	1,1	37	12	16
BREEZE E 25-3 C 4,5 A 4S	3,2	2,4	12,1	1800	42	3x250	1300	285	2,04	9	1,05	1,6	47	12	16

FIN SPACING 7 mm / 4 poles	CAPACITY		SURFACE m <sup>2</sup>	AIR FLOW m <sup>3</sup> /h	SOUND PRESSURE dB(A) @ 5m	N° FANS x DIAMETER Nr. x Ø mm	FAN SPEED Rpm	POWER W	CURRENT A	AIR THROW m	DEFROSTING POWER kW	VOLUME lt	WEIGHT kg	Ø IN mm	Ø OUT mm
	SC2 - kW	SC3 - kW													
BREEZE E 25-1 C 7 A 4S	0,8	0,6	2,7	650	38	1x250	1300	95	0,68	9	0,35	0,5	25	12	16
BREEZE E 25-2 C 7 A 4S	1,7	1,3	5,3	1300	41	2x250	1300	190	1,36	9,5	0,7	1,1	35	12	16
BREEZE E 25-3 C 7 A 4S	2,5	2	8,1	1950	42	3x250	1300	285	2,04	9,5	1,05	1,6	45	12	16

SC2: Tc=0°C, UR 85%, Tev=-8°C, R404A  
 SC3: Tc=-18°C, UR 95%, Tev=-25°C, R404A

© 2016 Stefani Spa. Data and images are indicative and may be changed in any time without notice.

# BREEZE E 31

The new angled air cooler



stefani-online.it

Ø 315 mm  
FAN SIZE

2,5 ÷ 10 kW  
DT 8K CAPACITY

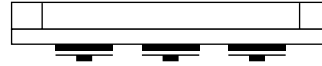
3 - 4,5 - 7 mm  
3 FIN SPACING



BREEZE E 31-1



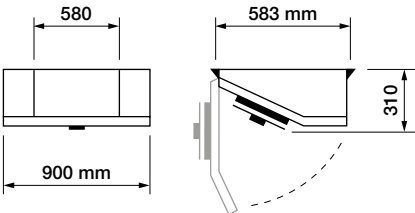
BREEZE E 31-2



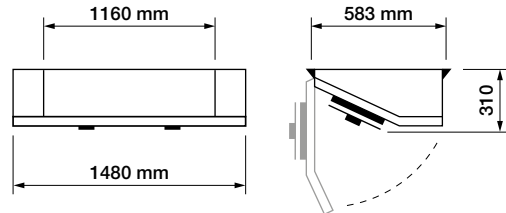
BREEZE E 31-3

## DIMENSIONS

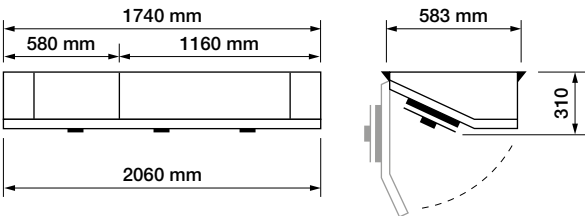
### BREEZE E 31-1



### BREEZE E 31-2



### BREEZE E 31-3



## SELECTION CODE

**BREEZE E 31 1 C 4,5 A 4S**

<b>BREEZE</b>	angled air cooler
<b>E</b>	<b>E</b> = direct expansion   <b>C</b> = CO <sub>2</sub> dx   <b>W</b> = brine   <b>P</b> = pumped
<b>31</b>	fan size Ø 315 mm
<b>1</b>	number of fans
<b>C</b>	coil type
<b>4,5</b>	fin spacing mm

<b>A</b>	<b>A</b> = air defrost   <b>E</b> = electric defrost   <b>W</b> = water defrost
<b>4</b>	electric motor poles
<b>S</b>	<b>S</b> = single phase   <b>D</b> = three phase high speed
<b>Y</b>	three phase slow speed
<b>EC</b>	electronic motor if present



# BREEZE E 31

The new angled air cooler



stefani-online.it

FIN SPACING 3 mm / 4 poles	CAPACITY		SURFACE m <sup>2</sup>	AIR FLOW m <sup>3</sup> /h	SOUND PRESSURE dB(A) @ 5m	N° FANS x DIAMETER Nr. x Ø mm	FAN SPEED Rpm	POWER W	CURRENT A	AIR THROW m	DEFROSTING POWER kW	VOLUME lt	WEIGHT kg	Ø IN mm	Ø OUT mm
	SC2 - kW	SC3 - kW													
BREEZE E 31-1 C 3 A 4S	3,2	-	11,4	1650	37	1x315	1350	110	0,52	12,5	0,75	1	33	12	16
BREEZE E 31-2 C 3 A 4S	6,6	-	22,8	3250	40	2x315	1350	220	1,04	13,5	1,5	2,1	49	12	16
BREEZE E 31-3 C 3 A 4S	10,1	-	34,2	4900	41	3x315	1350	330	1,56	13,5	2,25	3,1	64	16	18

FIN SPACING 4,5 mm / 4 poles	CAPACITY		SURFACE m <sup>2</sup>	AIR FLOW m <sup>3</sup> /h	SOUND PRESSURE dB(A) @ 5m	N° FANS x DIAMETER Nr. x Ø mm	FAN SPEED Rpm	POWER W	CURRENT A	AIR THROW m	DEFROSTING POWER kW	VOLUME lt	WEIGHT kg	Ø IN mm	Ø OUT mm
	SC2 - kW	SC3 - kW													
BREEZE E 31-1 C 4,5 A 4S	2,8	2	7,8	1750	37	1x315	1350	110	0,52	14	0,75	1	31	12	16
BREEZE E 31-2 C 4,5 A 4S	5,7	4,1	15,6	3500	40	2x315	1350	220	1,04	15	1,5	2,1	45	12	16
BREEZE E 31-3 C 4,5 A 4S	8,7	6,3	23,4	5250	41	3x315	1350	330	1,56	15	2,25	3,1	59	16	18

FIN SPACING 7 mm / 4 poles	CAPACITY		SURFACE m <sup>2</sup>	AIR FLOW m <sup>3</sup> /h	SOUND PRESSURE dB(A) @ 5m	N° FANS x DIAMETER Nr. x Ø mm	FAN SPEED Rpm	POWER W	CURRENT A	AIR THROW m	DEFROSTING POWER kW	VOLUME lt	WEIGHT kg	Ø IN mm	Ø OUT mm
	SC2 - kW	SC3 - kW													
BREEZE E 31-1 C 7 A 4S	2,2	1,7	5,2	1850	37	1x315	1350	110	0,52	14,5	0,75	1	30	12	16
BREEZE E 31-2 C 7 A 4S	4,5	3,5	10,4	3700	40	2x315	1350	220	1,04	15,5	1,5	2,1	43	12	16
BREEZE E 31-3 C 7 A 4S	6,8	5,3	15,6	5550	41	3x315	1350	330	1,56	15,5	2,25	3,1	56	16	18

SC2: Tc=0°C, UR 85%, Tev=-8°C, R404A  
 SC3: Tc=-18°C, UR 95%, Tev=-25°C, R404A

© 2016 Stefani Spa. Data and images are indicative and may be changed in any time without notice.

## CONFIGURATIONS

RANGE	MODELS	FANS		POLES	FIN SPACING	AVAILABLE ON REQUEST			DEFROST	
	Nr.	Nr.	Ø mm		mm				STANDARD ELECTRIC	HOT GAS
BREEZE 25	9	1 ÷ 3	250	4	3 - 4,5 - 7	SYNTHETIC	BRINE	CO <sub>2</sub>	○	○
BREEZE 31	9	1 ÷ 3	315	4	3 - 4,5 - 7				○	○

RANGE	ACCESSORIES						
	DRAIN HEATER	PRE PAINTED FINS	COIL CATHODE TREATMENT	AISI 304 CASING	EASY ACCESS	EC FANS	ELECTRIC WIRING
BREEZE 25	○	○	○	○	●	○	●
BREEZE 31	○	○	○	○	●	○	●

● Standard

○ Optional



**BREEZE E 25**  
**BREEZE E 31**



The new angled air cooler

© 2016 Stefani Spa. Rev. 01 - 06/2018. Printed in Italy.



**Great products  
for great customers**